

GDPL-OV Oval Push Knob Latch

Features

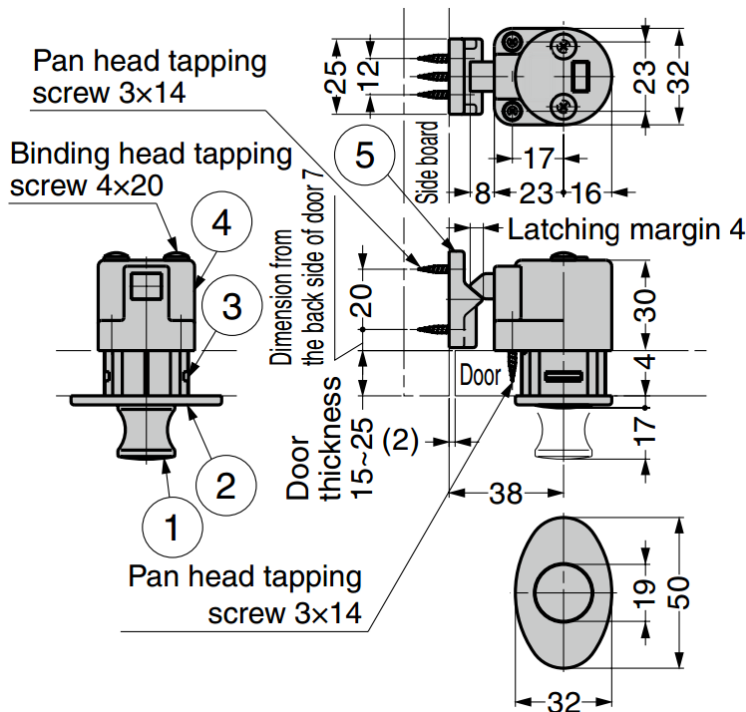
- Safe and smart design: Door will be locked when knob is pushed in
- Door is locked by closing the door and pushing in the knob. Push the knob again to unlock the door.
- Can be used for overlay and inset door
- Door stopper is not needed
- Latch and knob are sold as a set

Notes

- Applicable door thickness: 15 ~ 25 mm
- Advised to close the door and then push the knob. Closing the door after pushing the knob may cause damage

Parts Included

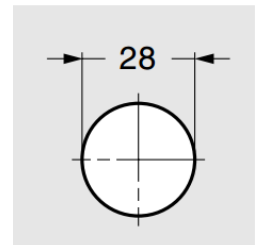
- Binding head tapping screw 4×20 (SUS)
- Pan head tapping screw 3×14 (SUS)



Push Knob and Surface Ring



Latch Body and Counter Plate



No.	Part Name	Material	Finish / Colour
①	Knob	Zinc Alloy (ZDC)	Gold (Paint/Clear), Chrome
②	Surface Ring		
③	Case Body	ABS	Black
④	Latch Body		
⑤	Counter Plate		

Part No.	Finish	Retaining Force	
GDPL-OV-G	Gold (Paint / Clear)	98 N	10 kg
GDPL-OV-CR	Chrome		